



Product Brief

Canary-Three™

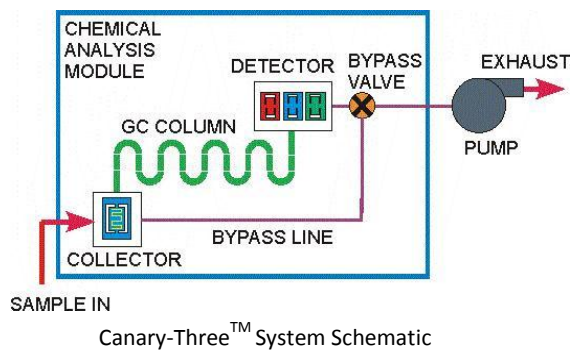
Defiant Technologies Inc
6814A Academy Parkway W NE
Albuquerque, NM 87109
www.defiant-tech.com

Intelligent Sampling for Speed and Precision

Canary-Three™



The Canary-Three™ is the industry's first handheld intelligent gas sensor. Its smart sampling feature assures correct sample volume regardless of target chemical ambient concentrations. Intelligent Sampling increases the detector's linear dynamic range and protects the system from being overwhelmed by high concentrations. Canary-Three™ incorporates both a simple detector path for rapid screening, and a second pathway with a micro-GC and alternate detector for more in-depth analysis. The dual pathways give the system the flexibility to provide results fastest when concentrations (and dangers) are greatest



The Canary-Three™ gas module shown in Figure 2 has a footprint approximately the size of a credit card. A number of such modules can be individually tuned for diverse chemicals and operated in parallel. The gas module is available separately for OEM applications.

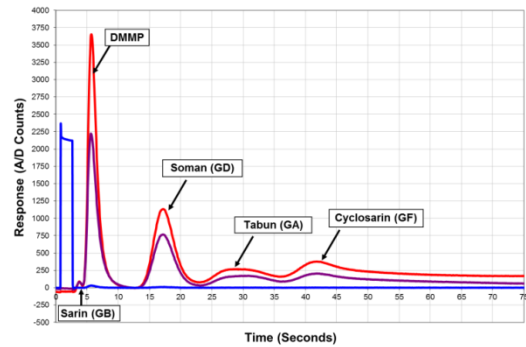


Figure 2. Canary-Three™ gas module.

www.defiant-tech.com



Figure 1. Canary-Three™ Detector



Chemical Capabilities

Chemical Weapons
Pesticides
Fragrances
Flavorants
SVOCs

Applications:

Homeland Security
Defense
Hazmat
First Response
Agriculture

Features and Specifications:

- Intelligent sample collection
- Dimensions & weight: 12 x 6 x 4 inches, 2.4 lbs.
- Power: 4 hours on rechargeable Lithium polymer batteries, or external 9V, 2A power.
- Computer interface: Standard RS-232 port
- Display: 2.1 x 0.75 inch LCD
- Carrier Gas: Ambient air

www.defiant-tech.com